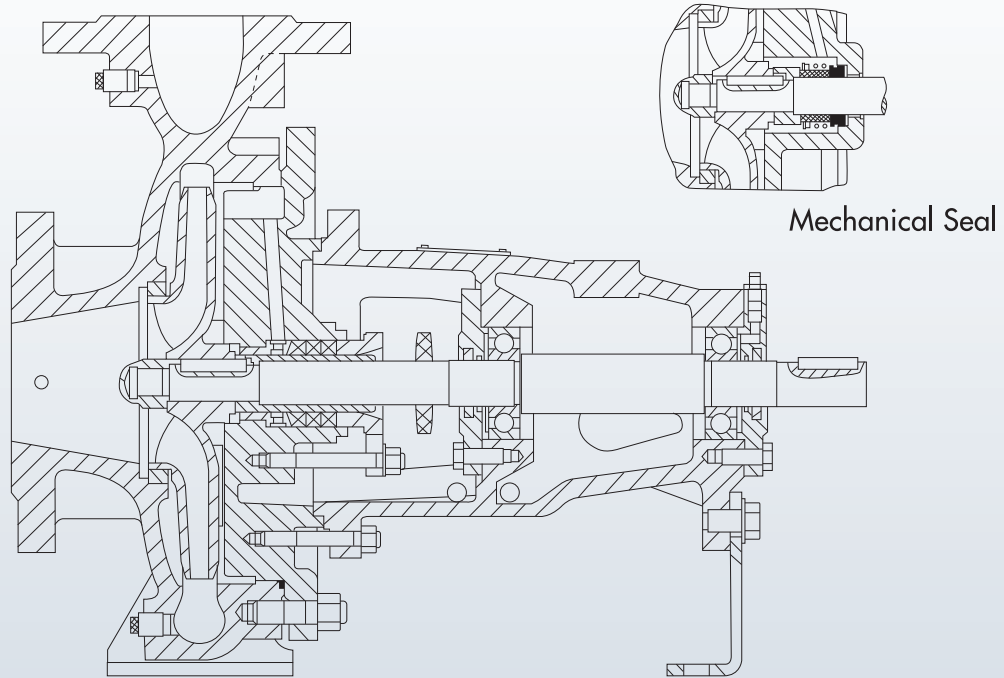


**BACK PULL-OUT
CENTRIFUGAL PUMPS
DIN 24255 SERIES**



DESIGN FEATURES

BACK PULL-OUT DESIGN

This design allows the rotating element of pump to be removed for servicing without disconnecting the pipework. The motor does not have to be moved if a spacer coupling is fitted, eliminating realignment problems during re-assembly.

COMMON SPARE PARTS

There are only six shaft modules to cover the entire range of over fifty pump models. All pumps common to one shaft module have identical bearings, shaft sleeves, seals and impeller fastenings.

VARIETY IN MATERIAL OF CONSTRUCTION

A wide variety of material of construction can be supplied to suit specific needs and applications. Fusion bonded ceramic (FBC) construction may also be offered to enhance efficiency and life span of pump.

APPLICATION

- * Condenser
- * Air conditioning
- * Irrigation
- * Water circulation systems
- * Water supply

MATERIALS OF CONSTRUCTION

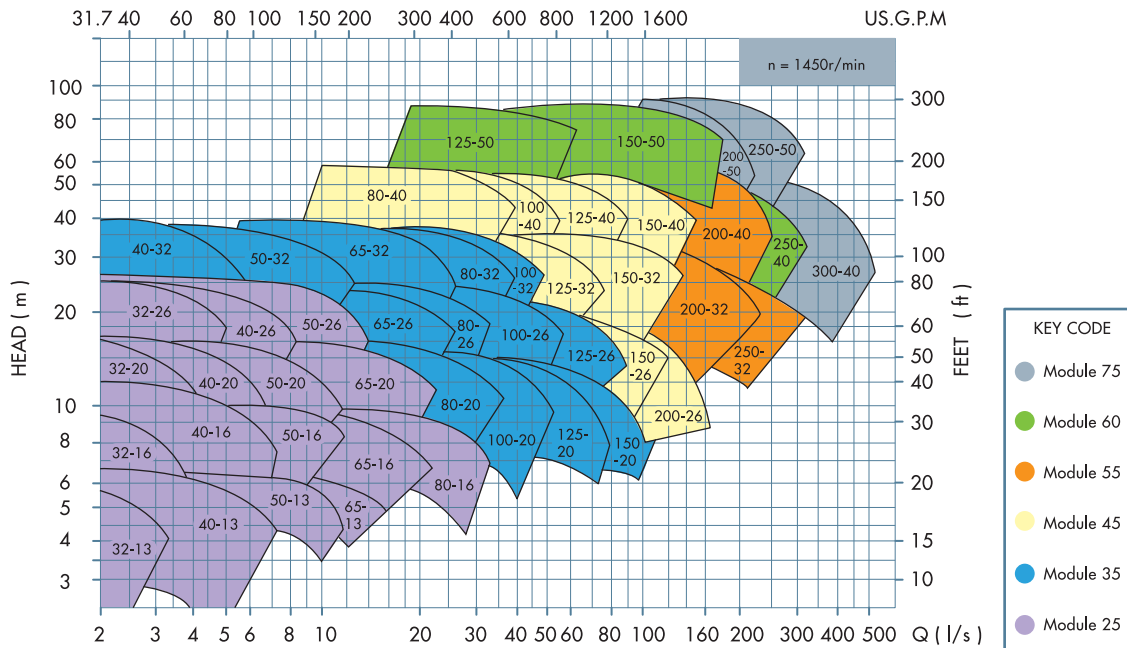
Casing	Cast Iron / Ductile Iron
Impeller	Bronze / Cast Iron / Stainless Steel
Wear Ring	Cast Iron / Bronze
Shaft	Stainless Steel / High Tensile Steel
Shaft Nut	Bronze / Steel / Stainless Steel
Shaft Sleeve	Stainless Steel
Lantern Ring	Cast Iron / Bronze
Mechanical Seal	Carbon / Silicon Carbide / NBR

NEAREST EQUIVALENT STANDARD

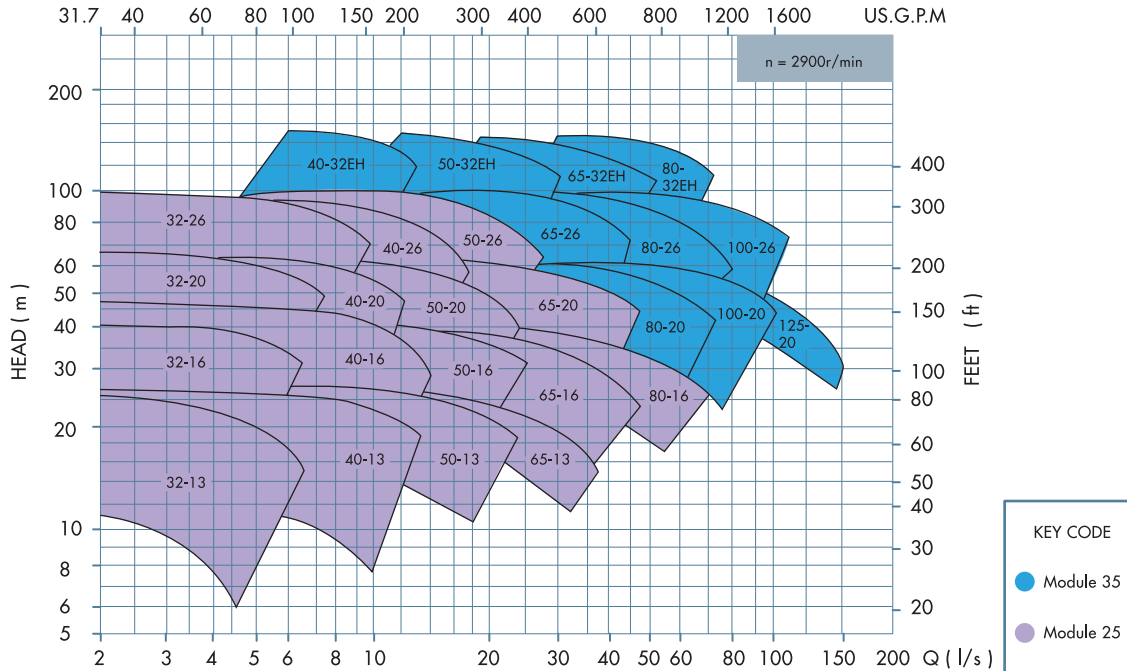
Material	Australian	British	American	DIN
Cast Iron	AS 1830/T200	BS 1452: GR 220	ASTM A48 CLASS 30	DIN 1691 GG 20
Bronze	AS 1565/836B	BSG 1400 LG2	ASTM B584 NO. 836	2.1096.03
Stainless steel	AS 1444 GR 420	BS 970 420/537	AIS 1420	X20CR13

SELECTION CHART

1450 RPM SELECTION CHART



2900 RPM SELECTION CHART



For enquiries, please contact :